



1030 Cavendish Road, Mount Gravatt,
P O Box 459 Mount Gravatt, Qld. 4122
Ph:(07) 3849 7878 Fax:(07) 3849 7876

Endorsed by
PLASTICS-ITC

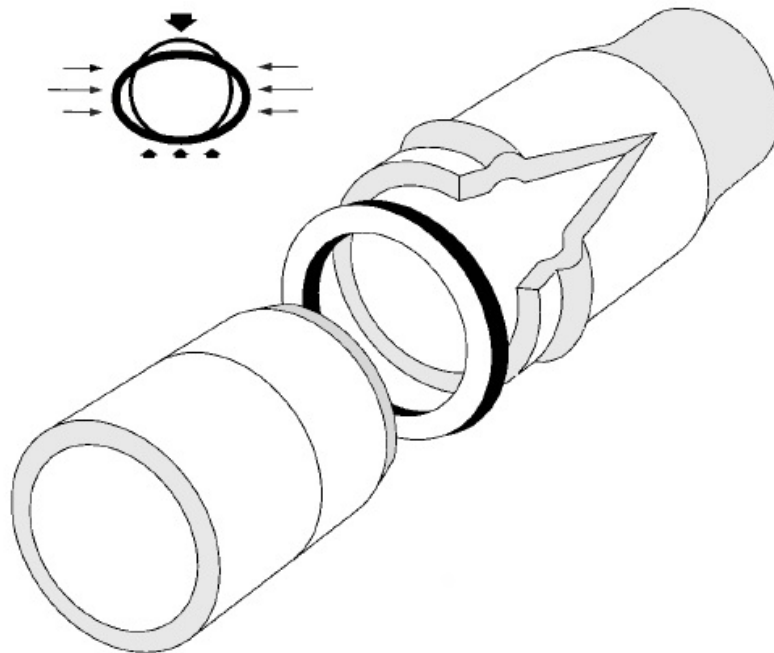
Plastics Training

**COURSE
IN
BRISBANE**



"Plastics and Rubber Technical Education Centre"

FW-1 Flexitec® PVC Pipelines Installation Course



A one day course 8:30am to 4:30pm

Course fee \$495

Refer to PARTEC website for dates

www.partec.qld.edu.au

FW-1 Flexitec

- Course Duration:** One full day course, 8:30pm - 4:30pm
Brisbane dates are available on our [www](#)
- Who is the Course for:** This is primarily aimed at people already employed in the Plastic Pipe Installation Industry, Mining , Gas Water, Irrigation Industry, Local Authorities.
- Group Size:** The course numbers are limited to ensure full participation and safe working conditions.
- Course Objective:** At the conclusion of the course each student will have a good knowledge of PVC pipe materials and standards, equipment and joining processes and will be able to carry out solvent cement and rubber ring pipe joints to industry standards.
- Course Program:** PVC pipe materials and compatibility
- PVC pipe standards AS/NZS1447, 4441, and 4765
 - Solvent Cement joints AS/NZS 3879
 - Rubber Ring Joints
 - Mechanical Joints
 - Handling & Transport
 - Tapping Systems
 - Quality elements
 - Practical pipe joining
 - Testing and Commissioning
 - Evaluation
 - PMBWELD308
- Course Providers:** Le Hunt Consulting Engineers, Melbourne and the PARTEC Institute.
- Course Coordinator:** PARTEC (Qld) Pty Ltd
- Course Venue:** PARTEC Institute, 1030 Cavendish Rd, Mt Gravatt, Qld 4122.
(‘P’ Block, on the Mt. Gravatt TAFE Campus)
- Course Fee:** **\$495** (requals are \$380 every 3 years; 2 years for first accreditation course)
- Assessment:** Practical pipe joining and a written assessment at conclusion, a Nationally Recognised Statement and a Flexitec® Accreditation Card will be issued to each successful participant.
- Registrations:** **Online Registration can be completed by visiting:**
www.partec.qld.edu.au/plastic-pipeline-joining-courses
- Enquiries:** You can inquire through our “Contact Us” page on our website, or call the office on: **(07) 3849 7878** You can also find further information on the Frequently Asked Questions (FAQ) page.
- NB: Covered footwear is required for this course.**
- Queensland TAFE Mt Gravatt Campus Block P—PARTEC**
1030 Cavendish Road MT Gravatt Qld 4122