



2020

www.partec.qld.edu.au

email: admin@partec.qld.edu.au

PARTEC

1030 Cavendish Road, Mount Gravatt,
P O Box 459 Mount Gravatt, Qld. 4122
Telephone (07) 3849 7878
Facsimile (07) 3849 7876

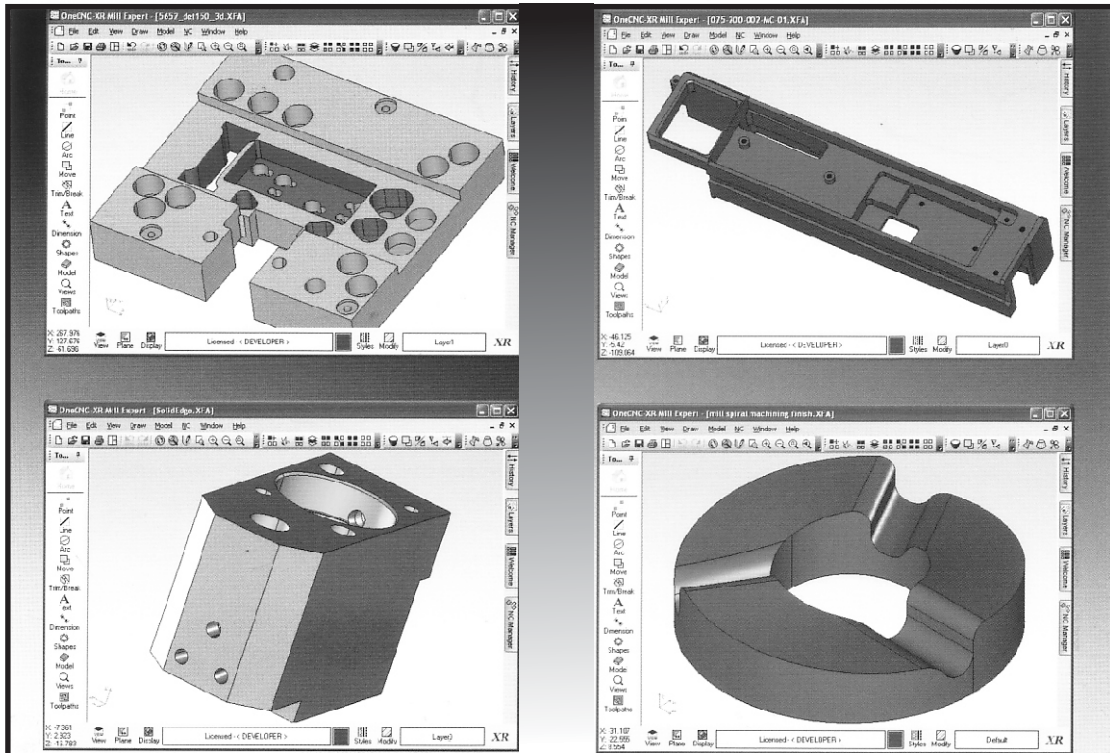
Engineering TRAINING

**For machinists
moving from manual
to CAM**



"Plastics and Rubber Technical Education Centre"

CNC-1 Basic Software Controlled CNC Machining



Course Timetable:

Intensive: (3 days) 9-11 March ; 14-16 Oct 2020
Wednesday evenings x 6 weeks 14 May- 18 June 2020

Course Fee: \$525

Basic 'Software-Controlled' Machining Techniques

Course Duration:

Intensive: 3 days
Dates: March and October 2020
or Wednesday evening x 6 weeks May to June 2020

Who is the Course for:

Machinists who want to learn 'CNC' and engineering draftsmen and others in the Industry. (These days we have powerful and affordable software and computers to generate the CNC code for you).

Group Size:

The group is limited to six (6) to ensure safety and participation on individual workstations.

Course Objective:

Students will learn how to generate and manage program files at the computer, and the basics of 2D and 3D machining and related design requirements.

Pre Requisites

Preference is given to people working in toolmaking and precision engineering industry, but someone who has experience using engineering drawings should have the necessary skills.

Course Co-ordinator:

Colin Gossip

Certificates:

This course includes National Competency Units from MEM05. (MEM09009C and MEM07016C)

Course Venue:

PARTEC Institute, 1030 Cavendish Rd. Mt Gravatt, Qld 4122.

Course Fee:

\$510 This includes Qld. State Government compulsory tuition fee. National Units of competency are subsidised by the Queensland Government.

Registrations:

Online registrations can be completed by visiting:
www.partec.qld.edu.au
In the Plastic and Engineering Short Courses Menu
Toolmaking and CNC Courses

[Enquiries can be made via www.partec.qld.edu.au](http://www.partec.qld.edu.au) or by calling
(07) 3849 7878.